



Audi A4 2.8L AAH

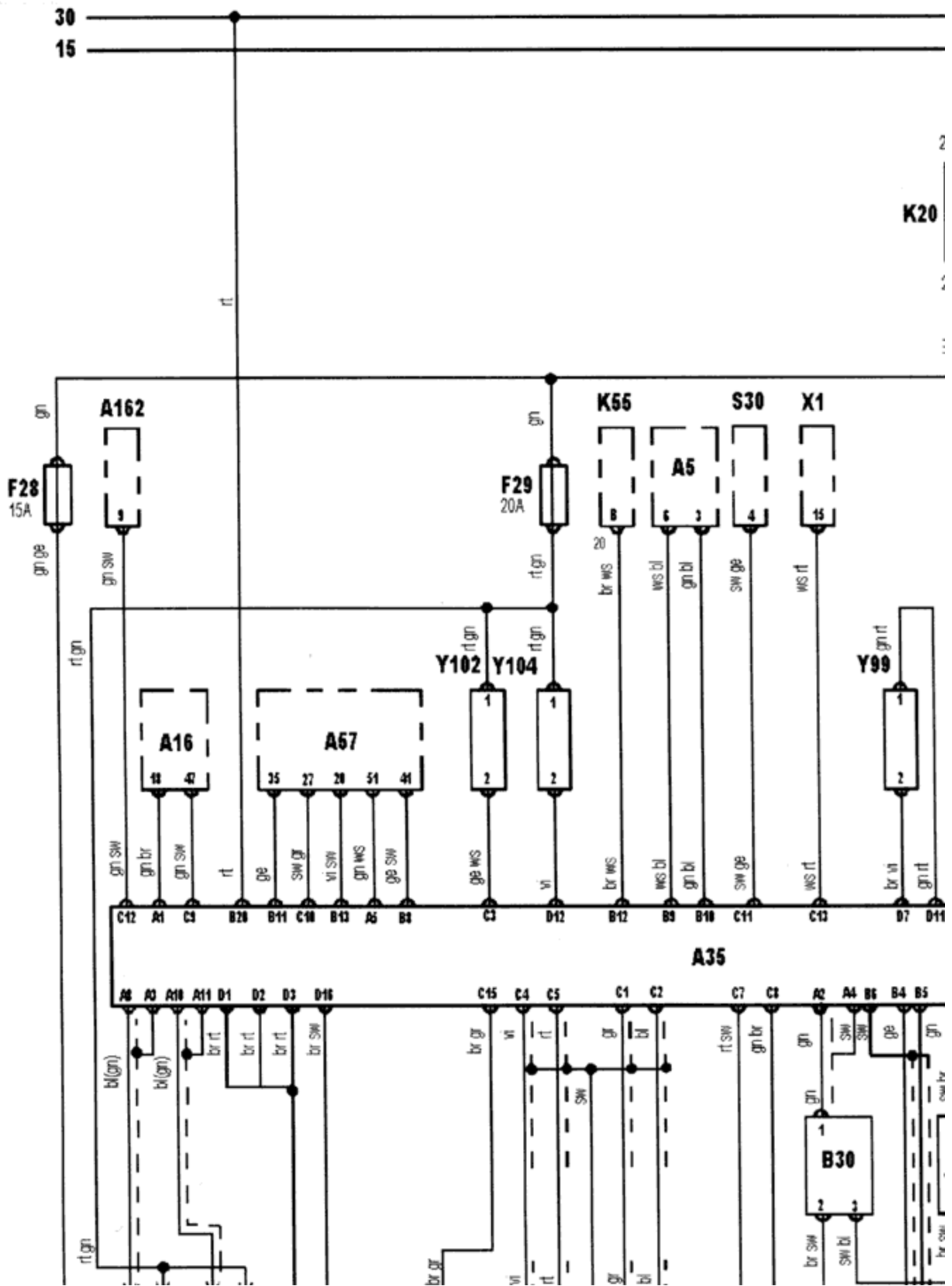
Manufacturer: Audi

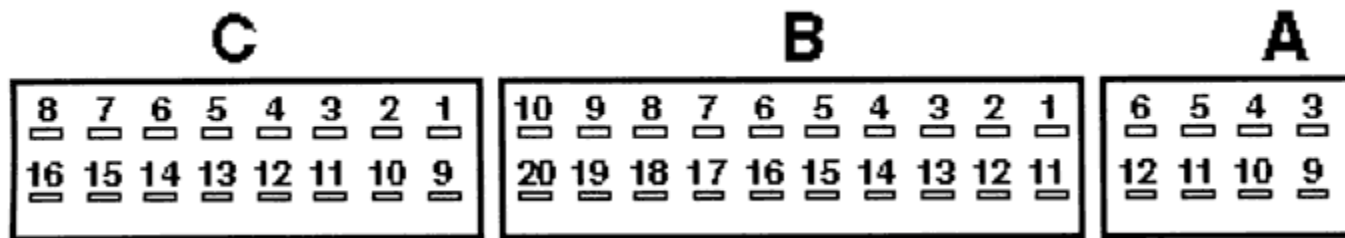
Model: A4 2,8

ECU: VAG MPI

Engine code: AAH

Tuned for: R-Cat





- A16 ABS control module
- 30 Battery +
- 31 Battery -
- B132 Camshaft position (CMP) sensor
- B54 Crankshaft position (CKP) sensor
- X1 Data link connector (DLC)
- A35 Engine control module (ECM)
- B24 Engine coolant temperature (ECT) sensor
- B75 Engine speed (RPM) sensor
- Y104 Evaporative emission (EVAP) canister purge valve
- M12 Fuel pump
- K20 Fuel pump relay
- F Fuse
- B72 Heated oxygen sensor (HO2S)
- S30 Heated rear window switch
- Y99 Idle air control (IAC) valve
- A52 Ignition amplifier
- T1 Ignition coil
- 15 Ignition switch - ignition ON
- A162 Immobilizer control module
- Y3 Injector
- A5 Instrument panel
- Y102 Intake manifold air control solenoid
- B69 Knock sensor (KS)
- B30 Mass air flow (MAF) sensor
- K55 Starter motor inhibitor switch relay
- B147 Throttle position (TP) sensor
- A57 Transmission control module (TCM)

bl = blue
 br = brown
 el = cream
 ge = yellow
 gn = green
 gr = grey
 nf = neutral
 og = orange
 rs = pink
 rt = red

sw = black
vi = violet
ws = white
hbl = light blue
hgn = light green
rbr = maroon

5.08.2002